

ALUMINIUM STEP OVER UNIT: FREESTANDING APPROVAL DRAWING

Ladder Specifications

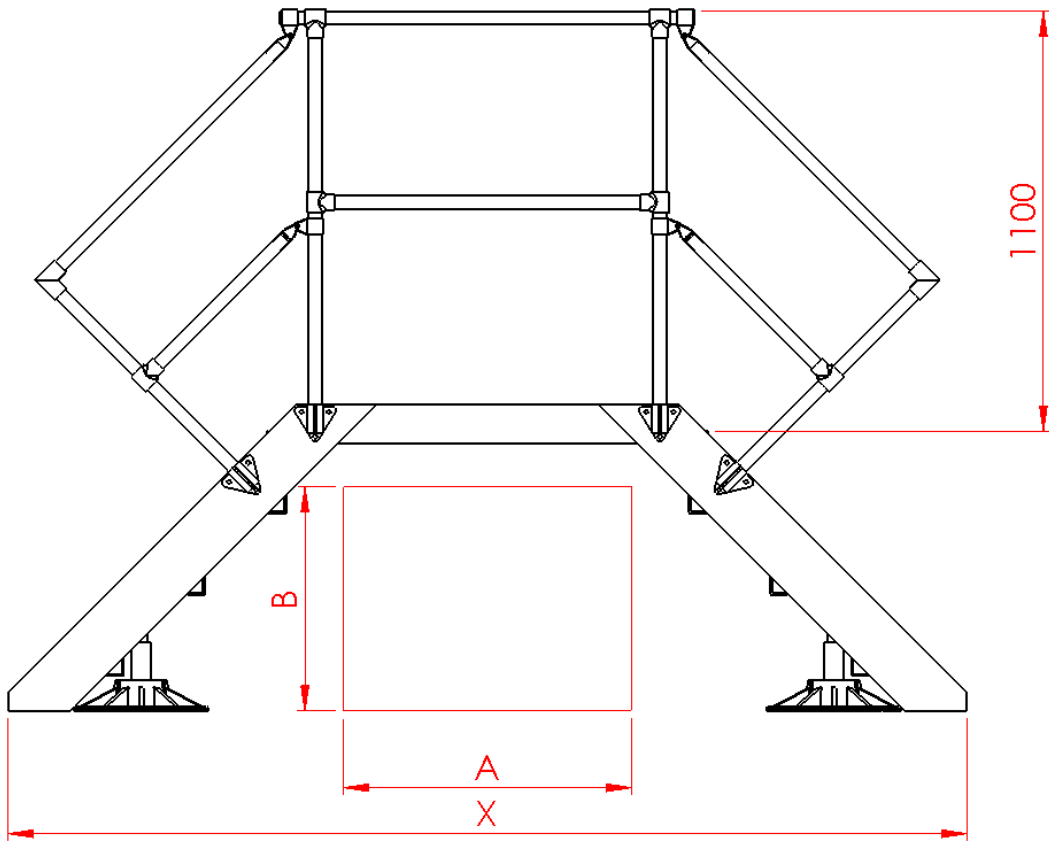
- Aluminium Stiles
- Aluminium folded chequerplate treads
- Fixings in stainless steel A4 grade
- All alloy in mill finish
- Handrail height: 900mm (nom)
- Overall Ladder Width: 600mm
- Ladder Angle: 45 degree (nom)

Platform Specification

- Construction: Aluminium section
- Platform to have handrails to both sides
- Platform Deck: Open mesh GRP

Handrail Specifications:

- Height: 1100mm above surface of decking
- Top Rail: 35mm diameter tube
- Midrail: 35mm diameter tube
- All internal fixings to be dome
- Handrails to be fitted to both sides of platform
- Finish: Mill finish aluminium



Project Title:	
Dimension 'A':	
Dimension 'B':	
Dimension 'X' (Max):	
Customer Name:	
Order Number:	
Date:	
Additional Comments	
I confirm the above information is correct and that our order shall be manufactured to these sizes:	Signed:.....