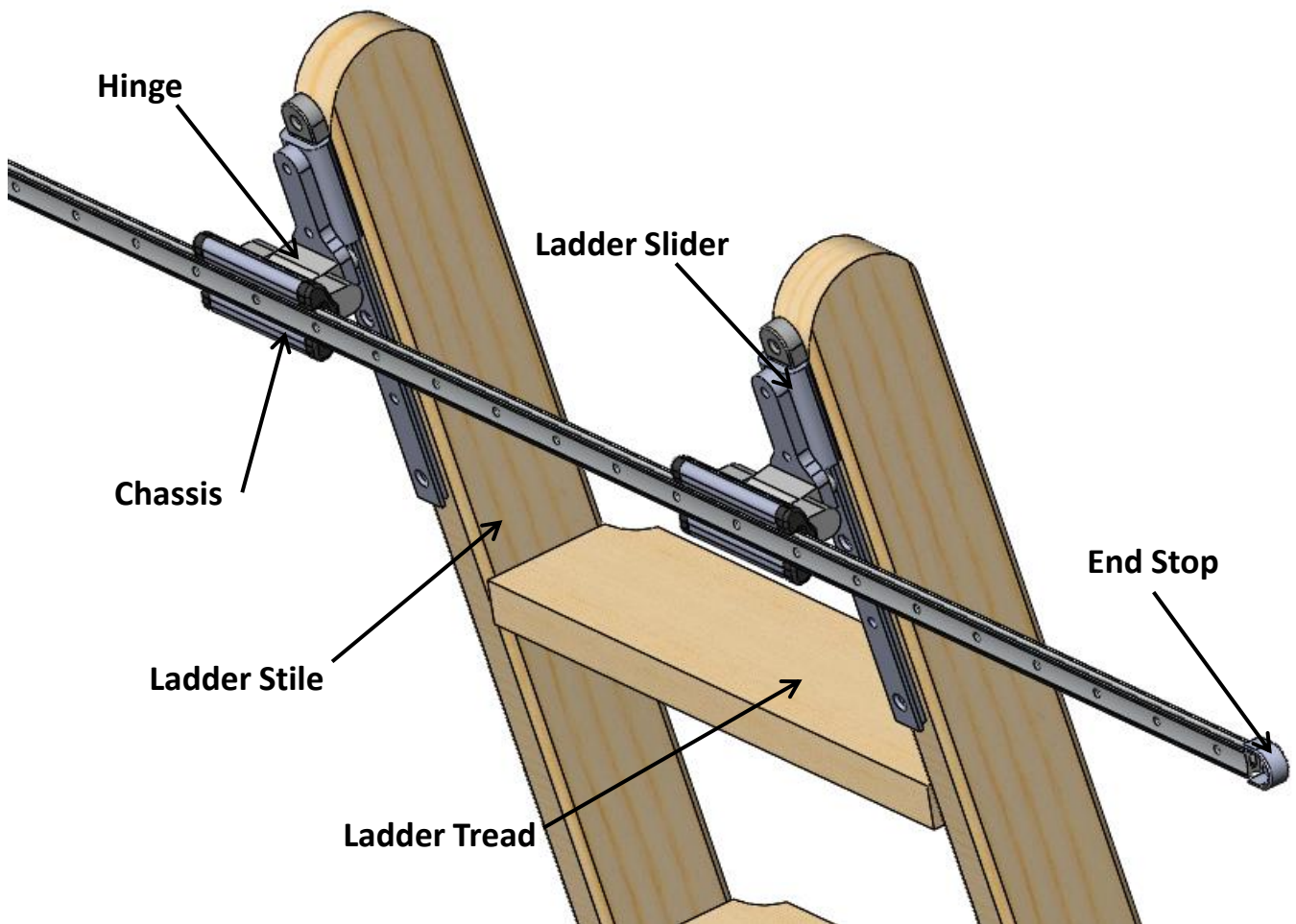


ROLLING LADDER SYSTEM

DATA SHEET 3: TECHNICAL SPECIFICATIONS: SYSTEM CONSTRUCTION

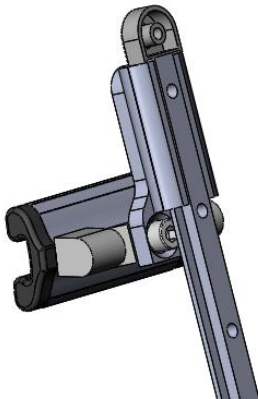
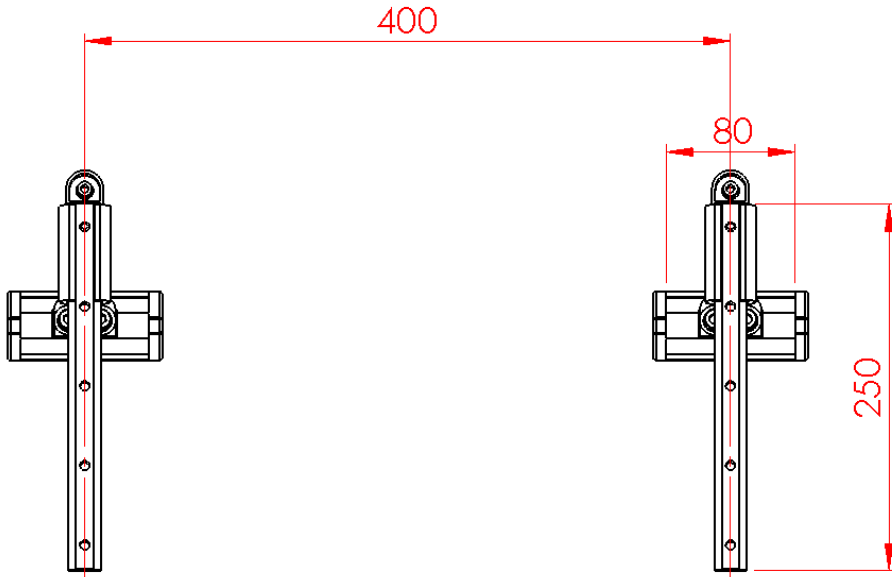
The rolling ladder system is simple constructed, made up from 6 components:

- **End Stop:** Fitted to the end of the track and screwed into position with a countersunk fixing (not supplied)
- **Hinge:** Supplied fixed to the chassis system robust hinges ensure the smooth operation of the ladder system
- **Ladder Slider:** In order to allow the ladder to store vertically the ladder tracks are supplied fixed to the ladders and can be simply slid into the chassis on installation
- **Chassis:** Manufactured from marine grade aluminium and anodised to give the best quality finish the rolling ladder chassis operates on recirculating nylon ball bearings to ensure smooth operation
- **Ladder Stiles & Treads:** Available in Oak, Redwood Joinery or industrial aluminium all ladders are manufactured to the highest quality



ROLLING LADDER SYSTEM

DATA SHEET 3: TECHNICAL SPECIFICATIONS: TRACK & CHASSIS CONSTRUCTION

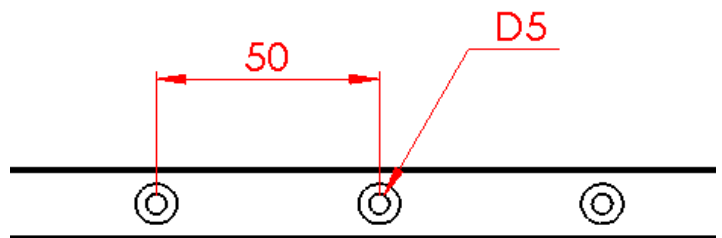
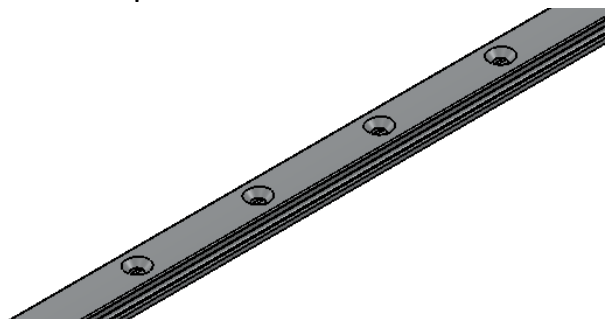


Chassis:

- Marine grade aluminium
- Anodised to give the best quality finish
- Operates on recirculating nylon ball bearings to ensure smooth operation

Track:

- Marine grade aluminium
- Anodised to give the best quality finish
 - Drilled to take 5mm dia fixings (not supplied)



ROLLING LADDER SYSTEM

DATA SHEET 3: TECHNICAL SPECIFICATIONS: LADDER CONSTRUCTION

Available in Oak, Redwood Joinery or industrial aluminium all ladders are manufactured to the highest quality

