

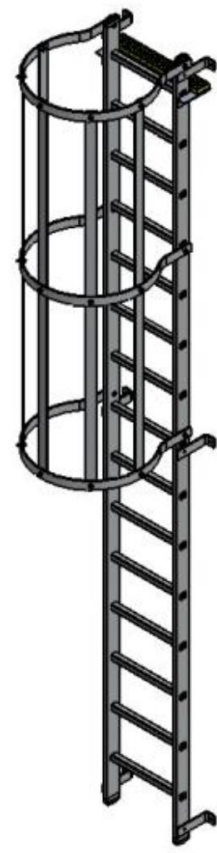
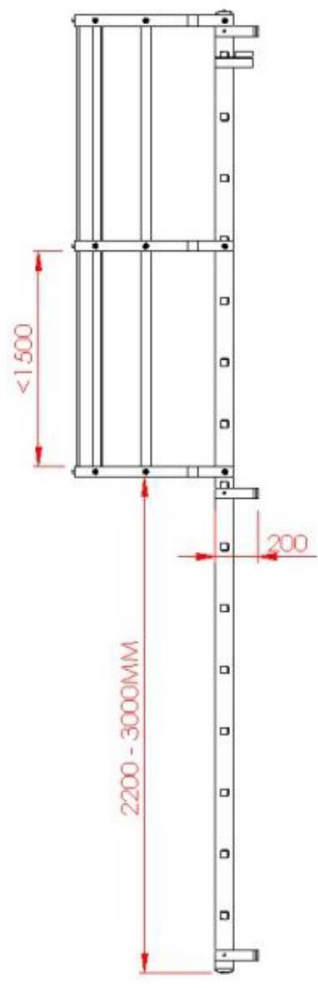
VERTICAL LADDERS: LADDER & CAGE APPROVAL DRAWINGS

Ladder Specifications

- Alloy Class 1 Stiles 73 x 25mm
- Class 1 Heavy Duty Square Rung
- Stand-off Brackets from 50 x 10 Alloy Bar
- Fixings in Stainless Steel
- All Alloy in Mill Finish
- Overall Ladder Width: 488mm
- Clear Stand-off Distance from Wall: 127mm

Cage Specifications

- Cages above 2200-3000mm
- Strap: 50 x 10mm alloy bar
- Fixings: Dome Head bolts
- 5 No Straps as BS4211: 2005



Project Title:	
Dimension 'A':	
Customer Name:	
Order Number:	
Date:	
Additional Comments	
I confirm the above information is correct and that our order shall be manufactured to these sizes:	Signed:.....